

PRODUCT INFORMATION

ProtectoArm 4m Extraction Arm

SUMMARY

The Protecto range of 150mm diameter extraction arms are available in different lengths. Due to the spring-supports, the extraction arm is easily positioned and is self-supporting when located into the adjusted position. This is the ideal extraction arm when you need to extract fumes and dust over a large working area.

TARGET APPLICATIONS

The Protecto Arm is suitable for all areas where capture at source is required. Typical uses for the extraction arm is capturing welding fumes, grinding, vapours etc.



FURTHER INFORMATION

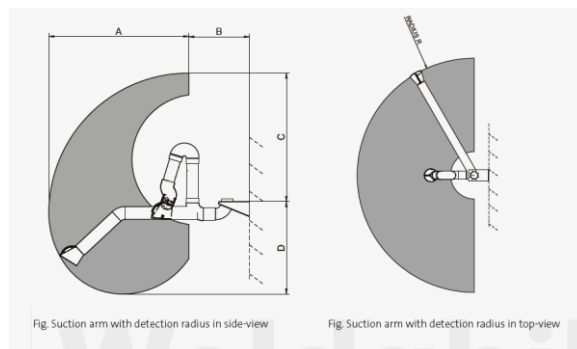
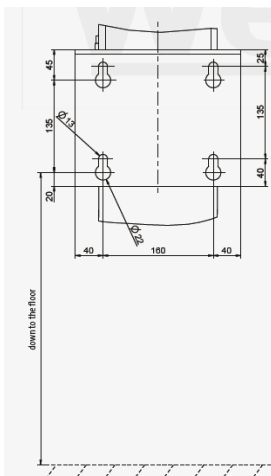
Available in 150mm diameter & 200mm diameter on request. The Protecto range of extraction arms comes complete with wall mounting bracket; suction hood with integrated damper. The arms can either be connected to individual fans or to central suction and filter systems.

ARTICLES & ACCESSORIES

Part Number	Product Description
EXT97603	4m 150mm Diameter Extraction Arm
EXT101927	4m Replacement Hose 150mm
EXT66200	Fume Extraction Hood
EXTPVC150	150mm Replacement hose 10m

TECHNICAL SPECIFICATION

Reach	4m
Rotation	180°
Diameters	150mm
Mounting Height	2200mm
Working Radius	3890mm
Vertical Movement	90°



Suction arm 4 m Ø 150 mm for wall installation						
		A	B	C	D	R
Hose	Internal joints	3890	800	3550	2330	4325
	External joints	3790	870	3450	2235	4210
Pipe	Internal joints	3890	800	3645	2330	4325
	External joints	3680	870	3340	2120	4100

all specifications in mm